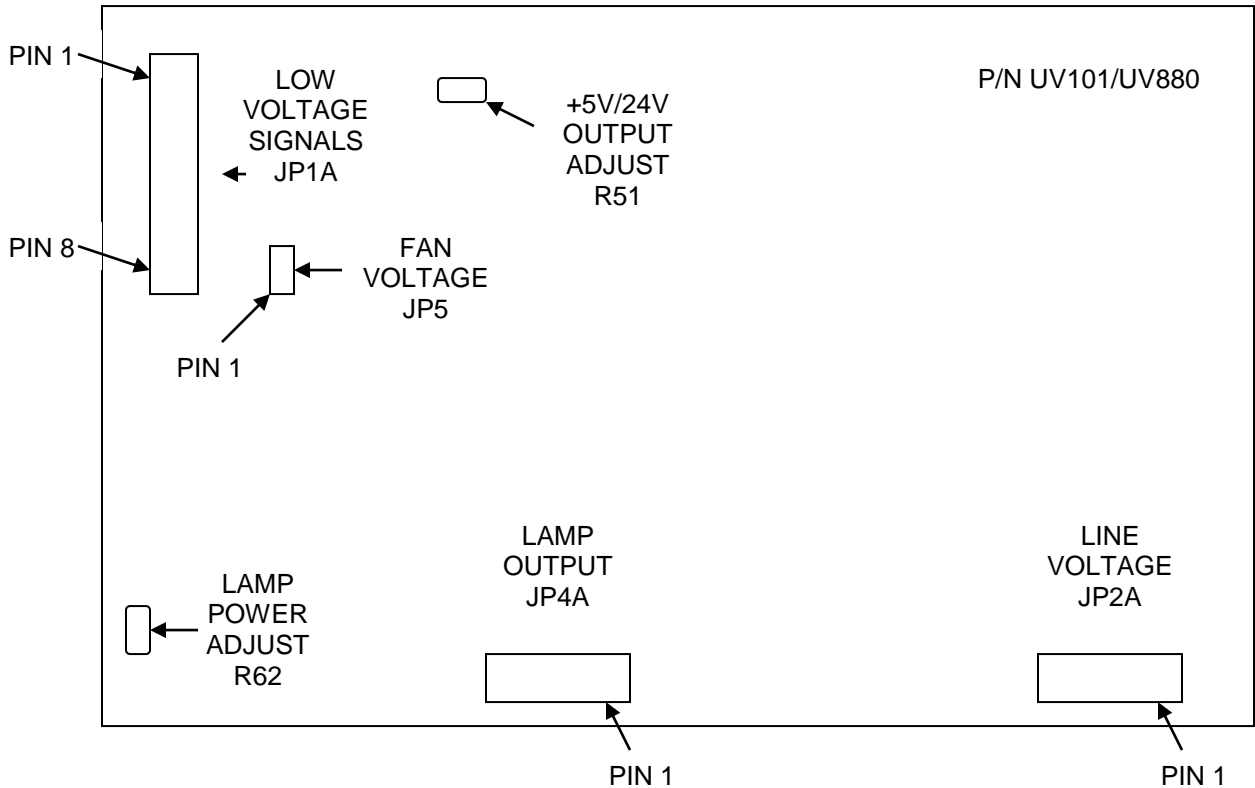


UV101/UV880 CONNECTION DIAGRAM UV Switch-mode Power Supply



CONNECTORS AND PIN ASSIGNMENTS

| Connector Name | Pin # | Signal name |
|------------------------------------|-------|---|
| JP1A, Low Voltage Signal Connector | 1 | Lamp standby (short to any return for full power) |
| | 2 | +5V |
| | 3 | +5V return |
| | 4 | +24V |
| | 5 | +24V |
| | 6 | +24V return |
| | 7 | +24V return |
| | 8 | +24V |
| JP2A, Line Voltage Input Connector | 1 | Ground |
| | 2 | Neutral |
| | 3 | Line |
| JP4A, Lamp Output Power Connector | 1 | Lamp1 |
| | 2 | No connection |
| | 3 | Lamp2 |
| JP5, Fan Voltage Connector | 1 | +24V |
| | 2 | +24V return |

UV101/UV880 Power Supply Mating Connectors

| Connector Name | Mates with PCB Connector | # of Positions | Housing PN | Contact PN | Manufacturer |
|------------------------------|--------------------------|----------------|------------|------------|--------------|
| Low Voltage Signal Connector | JP1A | 8 | 09-50-8081 | 08-50-0106 | Molex |
| Line Voltage Input Connector | JP2A | 3 | 350766-1 | 350689-1 | Amp |
| Lamp Output Power Connector | JP4A | 3 | 350766-1 | 350689-1 | Amp |
| Fan Voltage Connector (+24V) | JP5 | 2 | 22-01-3027 | 08-50-0114 | Molex |