

Powerful, Robust, UV LED Curing System

The SkyWave UV LED Curing System is equipped with a high-powered UV LED lamp that delivers cool, high-intensity light that is evenly distributed across a 14 x 14" curing area. The system features a robust touch screen interface that simplifies operation and provides access to a variety of settings including power control monitoring and system alarms. Housed in a black metal casing, the system is designed for durability and ease of use in industrial settings. It includes advanced cooling mechanisms to maintain optimal temperatures and stability during operation. Additionally, the SkyWave offers comprehensive error warnings and lock settings to ensure secure and reliable performance for various industrial applications.



Features



Large Curing Area

Features a 14 x 14" curing area, enabling the efficient processing of large or multiple items simultaneously. This extensive curing space enhances productivity, making it ideal for high-volume industrial applications.



High-Powered UV LED Lamp

The SkyWave features a UV LED lamp that delivers a potent irradiation intensity. This high-performance lamp is designed for effective and rapid curing, ideal for a variety of industrial applications.

Touch Screen Interface

The system includes an advanced touch screen interface that simplifies the management of operational settings. This user-friendly interface allows operators to easily adjust settings, monitor performance, and troubleshoot with ease.



Advanced Cooling System

The SkyWave boasts an advanced cooling system designed to maintain all components at optimal temperatures, significantly extending the lifespan of the unit and enhancing its performance reliability.

Comprehensive Error Warnings and Security Features

These include overheat warnings, LED fault alerts, and built-in password protection, which help in maintaining operational integrity and preventing unauthorized access or accidental mishandling of the equipment.



Durable and Functional Design

Built to withstand the rigors of industrial environments, the SkyWave curing system features a durable black metal casing that not only protects the internal components but also complements its functional design.

Dimensions & Specs

- **System Type:** LED Flood Curing System
- **Part #s:** UV5330-365, UV5330-385, UV5330-395, UV5330-405
- **Lamp Power:** 2000W
- **Input Voltage:** 200-240V AC, 50-60Hz range
- **Irradiance @ 1":** 600mW/cm² (365nm); 650mW/cm² (385nm, 395nm, 405nm)
- **Curing Area:** 13.78 x 13.78"
- **Weight:** 33.07lbs (Controller & Lamp)
- **Size (L x W x H):** 17.72 x 11.81 x 6.3" (Controller), 15.75 x 15.75 x 4.72" (Lamp)

System Part Numbers

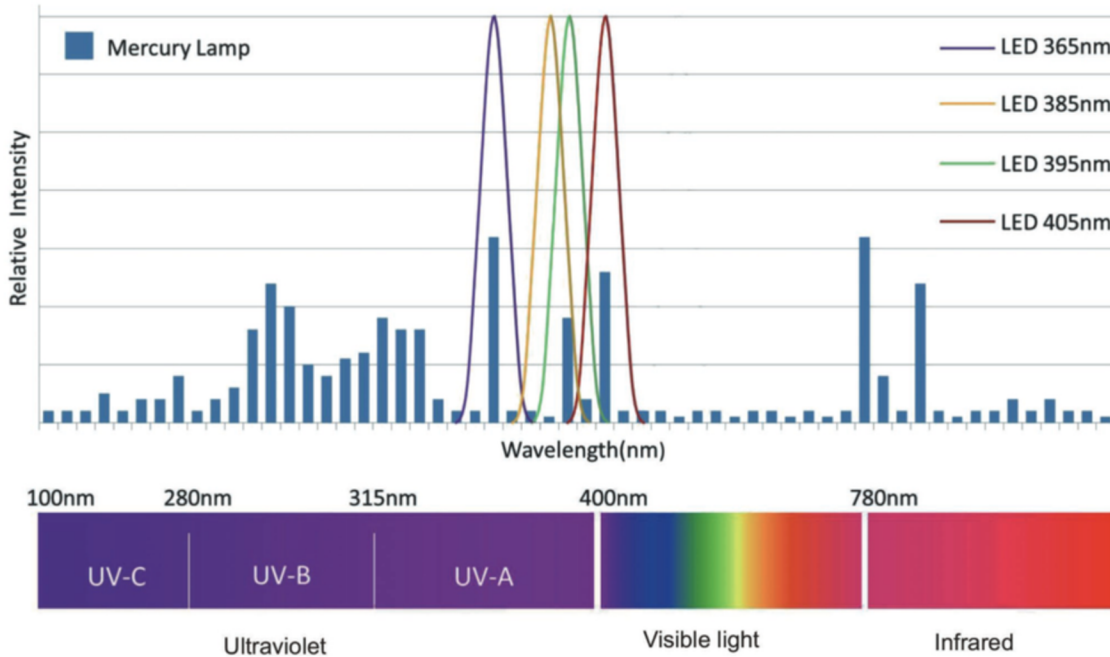
PART	Wavelength	Details
UV5330-365	365nm	SkyWave with 365 nm UV LEDs, Includes Lamp, Controller, UV/IR protective glasses, and manual
*UV5330-385	385nm	SkyWave with 385 nm UV LEDs, Includes Lamp, Controller, UV/IR protective glasses, and manual
*UV5330-395	395nm	SkyWave with 395 nm UV LEDs, Includes Lamp, Controller, UV/IR protective glasses, and manual
UV5330-405	405nm	SkyWave with 405 nm UV LEDs, Includes Lamp, Controller, UV/IR protective glasses, and manual

*special order only

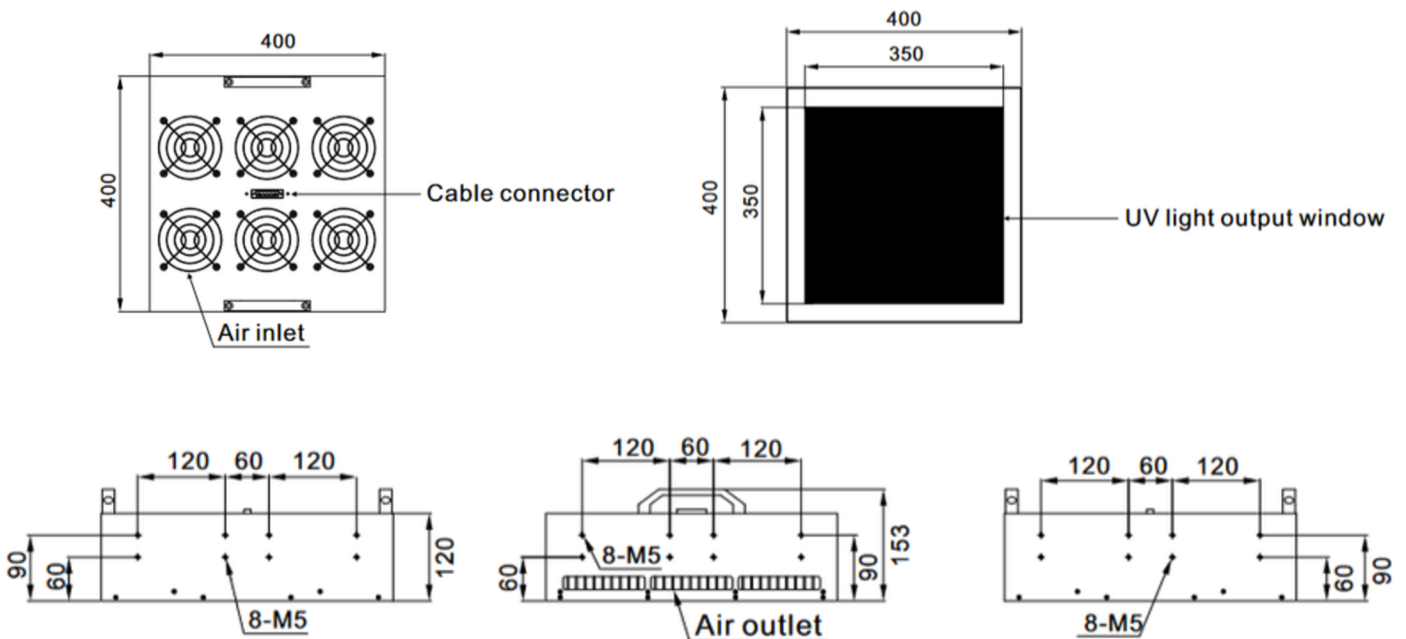
Accessories

PART	Item	Details
UV2875-H	Rayven Quad Shielding Curing Chamber	Provides full shielding and shutter door interlock
UV5309	Mounting Bracket Kit	Used to mount SkyWave UV LED Curing System
UV4704	USB to RS232 Adapter/Converter	Connect to PC or PLC for Remote Control
Multiple	Power Cords	Multiple types available
Multiple	UV Curing Tray	Stainless steel non-stick surface
UV4006	LEDCure Radiometer	Dynamic range 0.4-40W/cm ² . Available in L365, L385, L395 or L405.
UV2231	UV/IR Protective Safety Glasses	Sport contour, 3.0 shade
UV0495	UV/IR Protective Safety Glasses	OTG (fit over prescription eyewear), 3.0 shade
UV1889	UV Protective Face Shield	Lift-up face shield ideal for maximum UV/light protection, 3.0 shade

UV LED VS. Mercury Lamp Spectrum Distribution



LED Lamp Dimensions (Unit:mm)



Controller Dimensions (Unit:mm)

