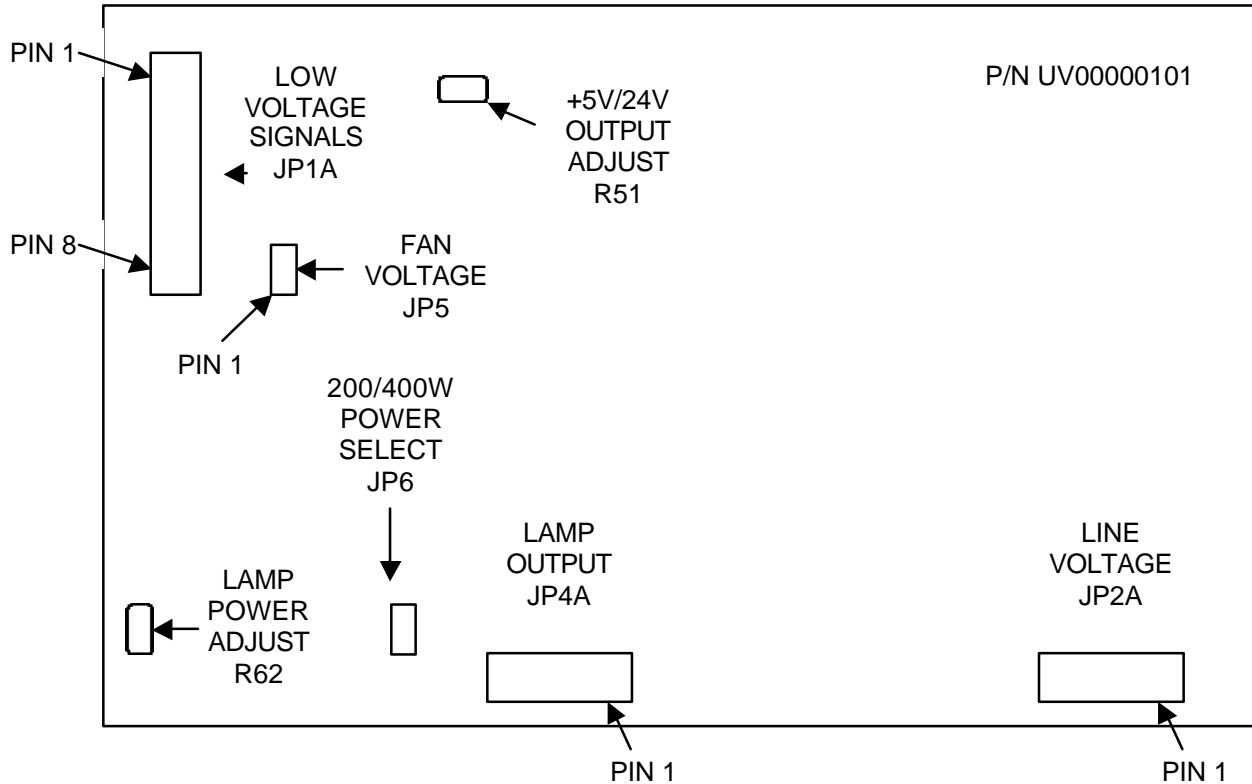


## UV500-00 CONNECTION DIAGRAM UV Switch-mode Power Supply



### CONNECTORS AND PIN ASSIGNMENTS

Connector Name	Pin #	Signal name
JP1A, Low Voltage Signal Connector	1	Lamp standby (short to any return for full power)
	2	+5V
	3	+5V return
	4	+24V
	5	+24V
	6	+24V return
	7	+24V return
	8	+24V
JP2A, Line Voltage Input Connector	1	Ground
	2	Neutral
	3	Line
JP4A, Lamp Output Power Connector	1	Lamp1
	2	No connection
	3	Lamp2
JP5, Fan Voltage Connector	1	+24V
	2	+24V return
JP6, 200/400W Power Mode Connector	1	Open pins 1 & 2 for 200 Watt mode
	2	Short pins 1 & 2 for 400 Watt mode

## UV500-00 Power Supply Mating Connectors

Connector Name	Mates with PCB Connector	# of Positions	Housing PN	Contact PN	Manufacturer
Low Voltage Signal Connector	JP1A	8	09-50-8081	08-50-0106	Molex
Line Voltage Input Connector	JP2A	3	350766-1	350689-1	Amp
Lamp Output Power Connector	JP4A	3	350766-1	350689-1	Amp
Fan Voltage Connector (+24V)	JP5	2	22-01-3027	08-50-0114	Molex